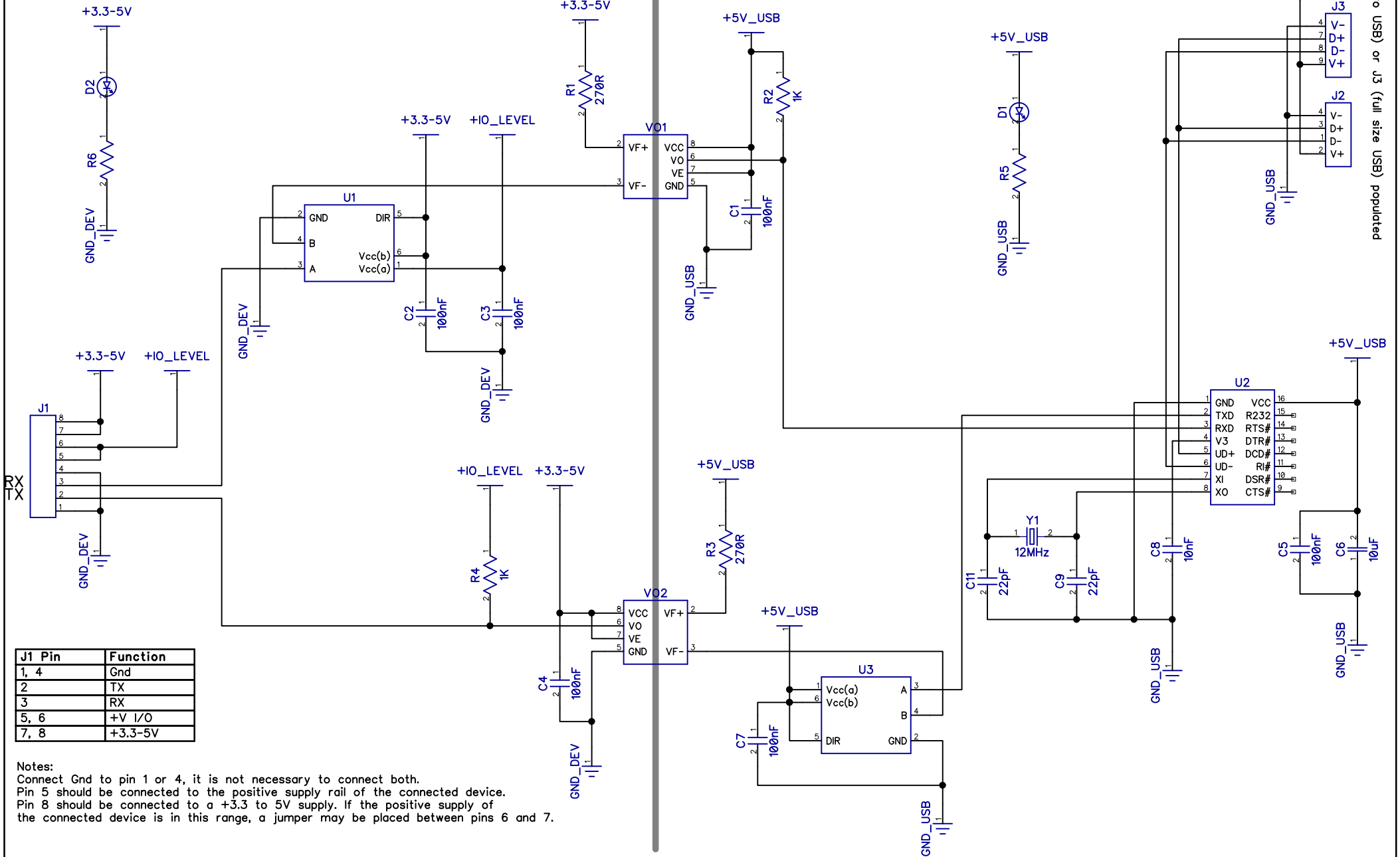


ZeptoBit Optically Isolated USB-UART Adapter

Device side

Computer side



J1 Pin	Function
1, 4	Gnd
2	TX
3	RX
5, 6	+V I/O
7, 8	+3.3-5V

Notes:
 Connect Gnd to pin 1 or 4, it is not necessary to connect both.
 Pin 5 should be connected to the positive supply rail of the connected device.
 Pin 8 should be connected to a +3.3 to 5V supply. If the positive supply of the connected device is in this range, a jumper may be placed between pins 6 and 7.

J2 (micro USB) or J3 (full size USB) populated

Name	Value	Quantity	RefDes
Cap_0603	100nF	6	C1, C2, C3, C4, C5, C7
CAP_1206_large_fp	10uF	1	C6
Cap_0603	10nF	1	C8
Cap_0603	22pF	2	C9, C11
LED_0603		2	D1, D2
Header_8pin_TH_2.54mm		1	J1
USB B TH		1	J2
USB microB smd		1	J3
Resistor_0603	270R	2	R1, R3
Resistor_0603	1K	2	R2, R4
Resistor_0603		2	R5, R6
SN74LVC1T45DBVR		2	U1, U3
CH340g		1	U2
6N137S-L		2	V01, V02
HC49UP	12MHz	1	Y1